



Impakt Fence

Vehicle Security Barrier



Product Benefits

- A physical & visual security deterrent
- Excellent protection from vehicle borne attacks
- Unique design deforms to increase stopping performance
- Over 65% lighter than concrete solutions
- Modular design allows protection of entrances & perimeters
- Quick & easy to install, remove & relocate
- Integrated fence panels deliver high security
- Welded, tight mesh provides no climbing aids & mitigates attack by tools
- High visibility, ideal for use with CCTV

The Impakt Fence is a unique IWA14 rated vehicle security barrier (VSB) with integrated high security perimeter fencing. This hostile vehicle mitigation fence solution is specifically designed to prevent unauthorised entry and protect people, buildings and infrastructure from hostile vehicle attacks.

The surface mounted system can be rapidly deployed on soft and hard standing as a temporary or permanent security system, as part of an overall HVM strategy. Each 430kg, 1m x 1m x 1m solid rubber unit is connected by steel cables or rods, providing the flexibility to protect both entrance areas and site perimeters against hostile vehicle attack.

The integrated welded mesh fence panels provide a secure perimeter to your site. The tight mesh makes it almost impossible to climb and is very difficult to cut with anything other than power tools. Fence toppings, CCTV and anti-intrusion detection systems can be added to further enhance site security.





Performance Rating

The Impakt Defender has been successfully impact tested to IWA 14-1 specification, stopping a 7.2 tonne N2A lorry travelling at 48kph (30mph).

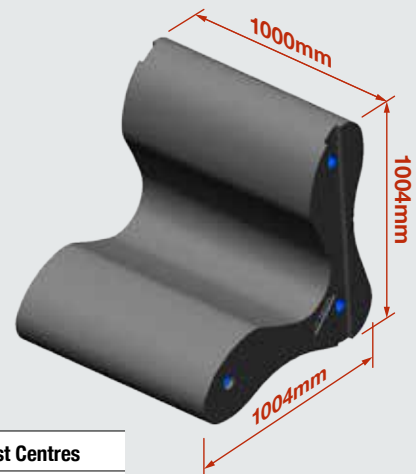
Technical Information

Impakt Defender

Height	Width	Depth	Weight	Connectivity
1004mm	1000mm	1004mm	430kg	20mm steel cables or rods

Fence

Height	Mesh Pattern	Vertical Wires	Horizontal Wires	Posts	Post Centres
Up to 2.4m	Various	4mm	4mm	80mm x 40mm	2060mm



For more information, please call the Rosehill Security sales team on +44 (0)1422 839 456, or email info@rosehillsecurity.com

Spring Bank Mills, Watson Mill Lane, Sowerby Bridge, West Yorkshire, HX6 3BW, United Kingdom

All information is correct at time of going to press. © Rosehill Polymers Limited - Issue 7 - NOV2023

